

# TM-Series

## TM-P636160/170

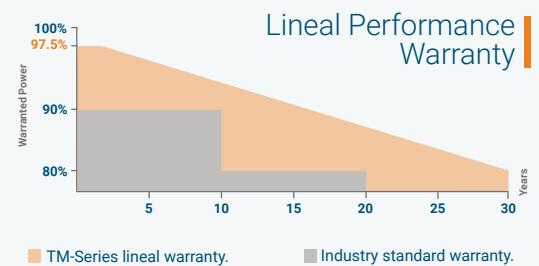


Polycrystalline  
Solar Panels

160-170W  
Power Range

17.10%  
Efficiency

0/+5W  
Tolerance



10 YEARS PRODUCT · 30 YEARS POWER

### Key Features



**High PID resistant**  
TM-Series has proved resistance to degradation induced power.



**Advanced glass**  
High transmission glass resulting in increased energy production.



**High efficiency and durability**  
Manufacturing process certified, excellent performance under low light environments.

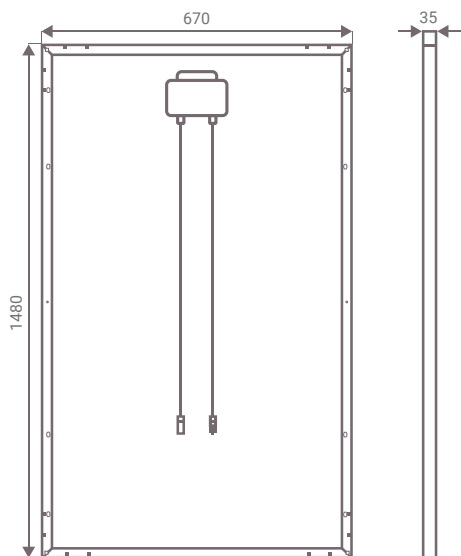


**Robust and corrosion free modules**  
Certified to withstand the most challenging environmental conditions.

# TM-P636160/170

POLYCRYSTALLINE PV MODULES

# TM-Series



## ELECTRICAL DATA

STC	TM P636160	TM P636165	TM P636170
Maximum Power at STC (Pmax)	160 W	165 W	170 W
Optimum Operating Voltage (Vmp)	17.50 V	18.20 V	18.20 V
Optimum Operating Current (Imp)	9.14 A	9.06 A	9.34 A
Open Circuit Voltage (Voc)	21.50 V	21.70 V	21.70 V
Short Circuit Current (Isc)	9.23 A	9.64 A	9.75 A
Module Efficiency	16.00 %	16.60 %	17.10 %

Electric characteristics at normal standard conditions (STC)  
STC Conditions: Irradiance: 1.000W/m<sup>2</sup>, cell temperature: 25°C, AM=1.5

NOCT	TM P636160	TM P636165	TM P636170
Maximum Power at NOCT (Pmax)	118 W	122 W	125 W
Optimum Operating Voltage (Vmp)	16.54 V	17.20 V	17.20 V
Optimum Operating Current (Imp)	7.13 A	7.07 A	7.29 A
Open Circuit Voltage (Voc)	20.19 V	20.38 V	20.38 V
Short Circuit Current (Isc)	7.43 A	7.76 A	7.85 A

Electric characteristics at normal operation conditions (NOCT)  
NOCT Conditions: Irradiance: 800W/m<sup>2</sup>, ambient temperature: 20°C, AM=1.5, wind speed: 1m/s

## GENERAL CHARACTERISTICS

Dimensions	1480x670x35 mm
Weight	12,5 Kg

## PACKAGING

Modules per Pallet	56
N° pallets per HC Container 40'	24

The max capacity per container are 1344 modules

## TEMPERATURE RATING

NOCT	45 ± 2° C
Coefficient of (Pmax)	-0.48 %/°C
Coefficient of (Voc)	-0.34 %/°C
Coefficient of (Isc)	+0.037 %/°C

## CERTIFICATIONS



IEC 61215, IEC 61730, ISO 9001:2008, ISO 14001:2004, BS OHSAS 18001:27, PV Cycle, MCS, PID, WEEE, UL.

## OPERATIVE CONDITIONS

Power Tolerance	0/+5W
Max. System Voltage	1.000 V / 1.500 V
Max. Series Fuse Rating	15 A
Operating Temperature Range	-40° C to 85° C
Max. Static Load, Front (Snow)	5400 Pa
Max. Static Load, Back (Wind)	2400 Pa
Fire Rating	Class A

## MECHANICAL CHARACTERISTICS

Solar Cells	Polycrystalline silicon 156x156 mm
Cell Arrangement	36 cells in series
Front Cover	Low-iron tempered glass 3.2 mm
Frame	Anodized aluminum alloy
Encapsulant	EVA (ethylene vinyl acetate)
Junction Box	IP67
Bypass Diodes	3
Cables (length/area)	1000 mm / 4 mm <sup>2</sup> (IEC), 12 AWG (UL)
Connectors	MC4

**Caution:**  
To operate, install and manage Tamesol's modules, read the installation manual and use carefully.

**Observations:**  
This Datasheet is subject to change without notice due to continuous improvement of our products. You can find all records of the updates on our website [www.tamesol.com](http://www.tamesol.com) or by contacting one of our sales staff. All rights reserved ©Tamesol ®

Authorized Partner:

