

# TM-Series

## TM-P660275/280

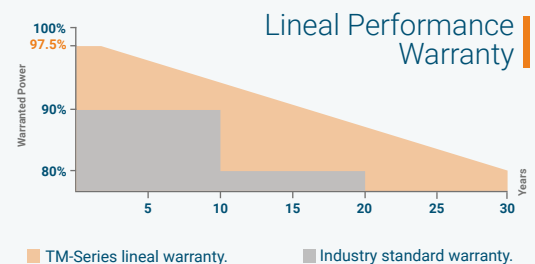


Polycrystalline  
PERC Solar Cells

275-280W  
Power Range

17.10%  
Efficiency

0/+5W  
Tolerance



10 YEARS PRODUCT · 30 YEARS POWER

### Key Features



**High PID resistant**  
TM-Series has proved resistance to degradation induced power.



**Advanced glass**  
High transmission glass resulting in increased energy production.



**High efficiency and durability**  
Manufacturing process certified, excellent performance under low light environments.



**Robust and corrosion free modules**  
Certified to withstand the most challenging environmental conditions.

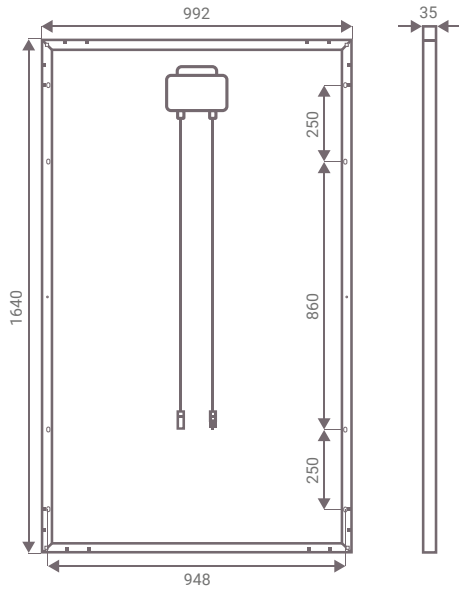
 **Tamesol**  
ENERGÍA PARA VIVIR

Where innovation for cost effectiveness becomes succes.

# TM-P660275/280

POLYCRYSTALLINE PV MODULES - PERC

# TM-Series



## ELECTRICAL DATA

STC	TM P660275	TM P660280
Maximum Power at STC (Pmax)	275 W	280 W
Optimum Operating Voltage (Vmp)	31.10 V	31.40 V
Optimum Operating Current (Imp)	8.84 A	8.92 A
Open Circuit Voltage (Voc)	38.50 V	38.70 V
Short Circuit Current (Isc)	9.25 A	9.34 A
Module Efficiency	16.80 %	17.10 %

Electric characteristics at normal standard conditions (STC)  
STC Conditions: Irradiance: 1.000W/m<sup>2</sup>, cell temperature: 25°C, AM=1.5

NOCT	TM P660275	TM P660280
Maximum Power at NOCT (Pmax)	204 W	207 W
Optimum Operating Voltage (Vmp)	29 V	29.20 V
Optimum Operating Current (Imp)	7.03 A	7.10 A
Open Circuit Voltage (Voc)	35.60 V	35.80 V
Short Circuit Current (Isc)	7.47 A	7.55 A

Electric characteristics at normal operation conditions (NOCT)  
NOCT Conditions: Irradiance: 800W/m<sup>2</sup>, ambient temperature: 20°C, AM=1.5, wind speed: 1m/s

## GENERAL CHARACTERISTICS

Dimensions	1640x992x35 mm
Weight	19 Kg

## PACKAGING

Modules per Pallet	26
N° pallets per HC Container 40'	28

The max capacity per container are 784 modules

## TEMPERATURE RATING

NOCT	45 ± 2° C
Coefficient of (Pmax)	-0.41 %/°C
Coefficient of (Voc)	-0.32 %/°C
Coefficient of (Isc)	+0.05 %/°C

## CERTIFICATIONS



IEC 6125, IEC 61730, ISO 9001:2008, ISO 14001:2004, BS OHSAS 18001:27, PV Cycle, MCS, PID, WEEE.

## OPERATIVE CONDITIONS

Power Tolerance	0/+5W
Max. System Voltage	1.000 V / 1.500 V
Max. Series Fuse Rating	15 A
Operating Temperature Range	-40° C to 85 °C
Max. Static Load, Front (Snow)	5400 Pa
Max. Static Load, Back (Wind)	2400 Pa
Fire Rating	Class A

## MECHANICAL CHARACTERISTICS

Solar Cells	Polycrystalline silicon 156x156 mm
Cell Arrangement	60 cells in series
Front Cover	Low-iron tempered glass 3.2 mm
Frame	Anodized aluminum alloy
Encapsulant	EVA (ethylene vinyl acetate)
Junction Box	IP67
Bypass Diodes	3/6 diodes
Cables (length/area)	4mm <sup>2</sup> (IEC)/12AWG (UL), 1000mm
Connectors	MC4

**Caution:**  
To operate, install and manage Tamesol's modules, read the installation manual and use carefully.

**Observations:**  
This Datasheet is subject to change without notice due to continuous improvement of our products. You can find all records of the updates on our website [www.tamesol.com](http://www.tamesol.com) or by contacting one of our sales staff. All rights reserved ©Tamesol ®

Authorized Partner:

