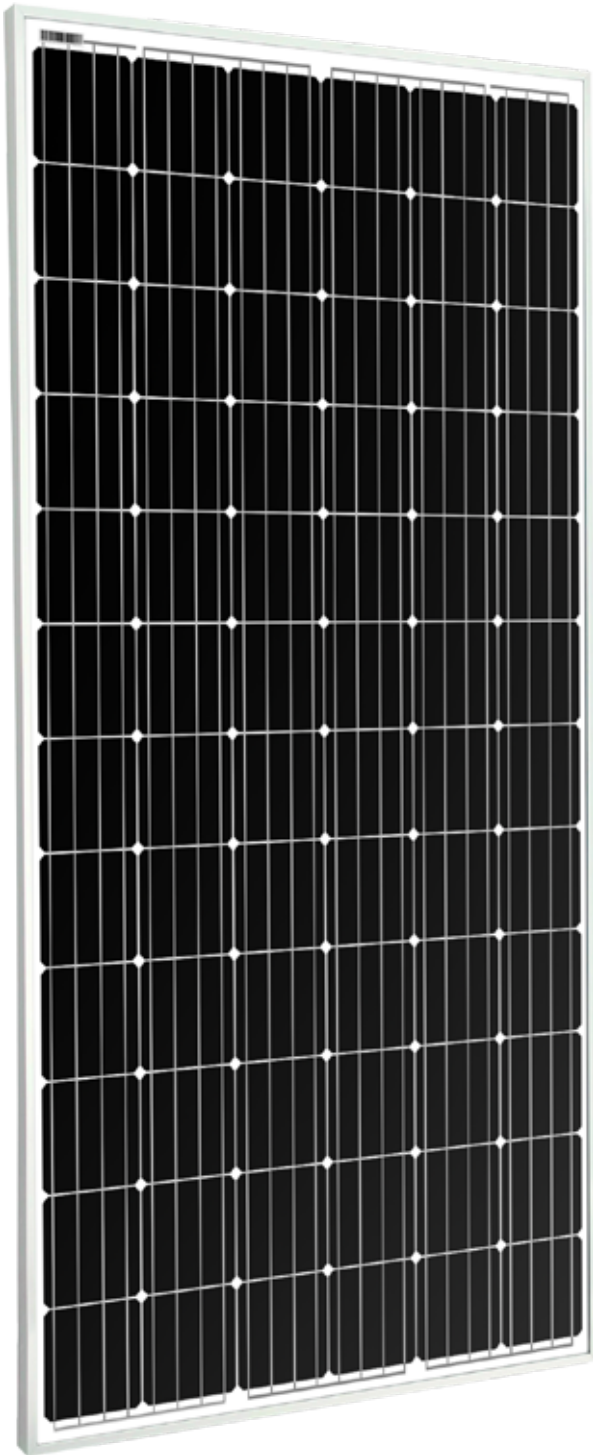


# TM-Series

## TM-M672350/360

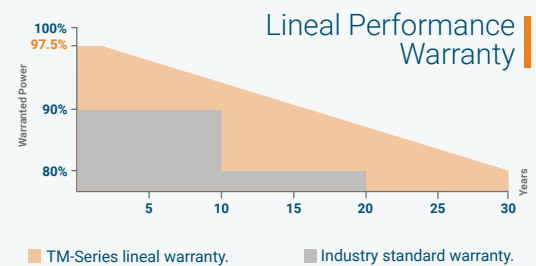


Monocrystalline  
Solar Panels

350-360W  
Power Range

18.50%  
Efficiency

0/+5W  
Tolerance



10 YEARS PRODUCT · 30 YEARS POWER

### Key Features



**High PID resistant**  
TM-Series has proved resistance to degradation induced power.



**Advanced glass**  
High transmission glass resulting in increased energy production.



**High efficiency and durability**  
Manufacturing process certified, excellent performance under low light environments.

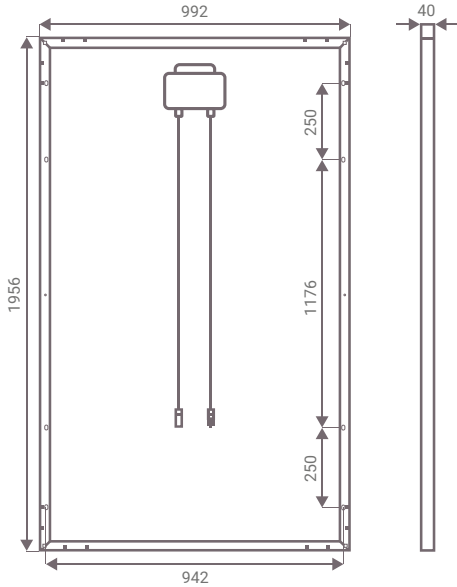


**Robust and corrosion free modules**  
Certified to withstand the most challenging environmental conditions.

# TM-M672350/360

MONOCRYSTALLINE PV MODULES

# TM-Series



## ELECTRICAL DATA

STC	TM M672350	TM M672355	TM M672360
Maximum Power at STC (Pmax)	350 W	355 W	360 W
Optimum Operating Voltage (Vmp)	38.50 V	38.70 V	38.90 V
Optimum Operating Current (Imp)	9.09 A	9.17 A	9.26 A
Open Circuit Voltage (Voc)	46.90 V	47 V	47.20 V
Short Circuit Current (Isc)	9.60 A	9.69 A	9.79 A
Module Efficiency	18 %	18.30 %	18.50 %

Electric characteristics at normal standard conditions (STC)  
STC Conditions: Irradiance: 1.000W/m2, cell temperature: 25°C, AM=1.5

NOCT	TM M672350	TM M672355	TM M672360
Maximum Power at NOCT (Pmax)	261 W	264 W	268 W
Optimum Operating Voltage (Vmp)	35.60 V	35.80 V	35.90 V
Optimum Operating Current (Imp)	7.33 A	7.40 A	7.47 A
Open Circuit Voltage (Voc)	43.50 V	43.70 V	43.80 V
Short Circuit Current (Isc)	7.75 A	7.82 A	7.88 A

Electric characteristics at normal operation conditions (NOCT)  
NOCT Conditions: Irradiance: 800W/m2, ambient temperature: 20°C, AM=1.5, wind speed: 1m/s

## GENERAL CHARACTERISTICS

Dimensions	1956x992x40 mm
Weight	23 Kg

## PACKAGING

Modules per Pallet	22
Nº pallets per HC Container 40'	24

The max capacity per container are 628 modules

## TEMPERATURE RATING

NOCT	45 ± 2° C
Coefficient of (Pmax)	-0.48 %/°C
Coefficient of (Voc)	-0.34 %/°C
Coefficient of (Isc)	+0.037 %/°C

## CERTIFICATIONS



IEC 61215, IEC 61730, ISO 9001:2008, ISO 14001:2004, BS OHSAS 18001:27, PV Cycle, MCS, PID, WEEE.

## OPERATIVE CONDITIONS

Power Tolerance	0/+5W
Max. System Voltage	1000V (IEC) / 600V (UL)
Max. Series Fuse Rating	15 A
Operating Temperature Range	-40° C to 85 °C
Max. Static Load, Front (Snow)	5400 Pa
Max. Static Load, Back (Wind)	2400 Pa
Fire Rating	Class C

## MECHANICAL CHARACTERISTICS

Solar Cells	Monocrystalline silicon 156x156 mm
Cell Arrangement	72 cells in series
Front Cover	Low-iron tempered glass 3.2 mm
Frame	Anodized aluminum alloy
Encapsulant	EVA (ethylene vinyl acetate)
Junction Box	IP67
Bypass Diodes	3
Cables (length/area)	1000 mm / 4 mm <sup>2</sup> (IEC), 12 AWG (UL)
Connectors	MC4

**Caution:**  
To operate, install and manage Tamesol's modules, read the installation manual and use carefully.

**Observations:**  
This Datasheet is subject to change without notice due to continuous improvement of our products. You can find all records of the updates on our website [www.tamesol.com](http://www.tamesol.com) or by contacting one of our sales staff. All rights reserved ©Tamesol ®

Authorized Partner:

